

TT

TT36 & TT48

Eastey TT Series
Rotary Accumulation Tables

User Guide





EASTEY[®]

PACKAGING PLUS
317-841-1126 INFO@HOTMELTUNITS.COM

PACKAGING PLUS
317-841-1126 INFO@HOTMELTUNITS.COM

TT

TT36 & TT48

Eastey TT Series Rotary Accumulation Tables

User Guide

Revised 05/15/2018

P/N TT001000 Rev A

Copyright and Trademarks
Copyright ©2018 Eastey Enterprises
All rights reserved. All trademarks and brand names
are the property of their respective owners.

Eastey Enterprises, Inc.
7041 Boone Ave. N.
Brooklyn Park, MN 55428

Phone: (763) 428-4846; Fax (763) 795-8867; 1-800-835-9344
www.eastey.com

PACKAGING PLUS
317-841-1126 INFO@HOTMELTUNITS.COM

PACKAGING PLUS
317-841-1126 INFO@HOTMELTUNITS.COM

Contents:

Safety	7
Explanation of Symbols	8
Introduction	9
General System Description	9
Specifications	9
Dimensions.....	11
Installation	12
Optional Casters.....	12
Height Adjustment	12
Location Requirements.....	13
Operation	14
Power	14
Control Box.....	15
Adjustments	17
Machine Base Height and Leveling Adjustment.....	17
Sidewall Height Adjustment	17
Turntable Leveling Adjustment.....	18
Advanced Speed and Control Function Adjustment.....	19
Maintenance	23
Preventative Maintenance	23
Cleaning the Table Top Surface and Sidewall.....	23
Troubleshooting	24
Parts List	27
Accumulation Table — TT36 & TT48	27
Appendix A: Electrical Schematic	29
Warranty Statement	31
Customer Support	33

PACKAGING PLUS
317-841-1126 INFO@HOTMELTUNITS.COM

PACKAGING PLUS
317-841-1126 INFO@HOTMELTUNITS.COM

Safety

General Safety Precautions

Before installing, operating or servicing this equipment, please read the following precautions carefully:

- This machine is equipped with a rotating turntable disk for product accumulation. The rotating motion of the disk, and drive chain and sprockets under it create several potential pinch points. Do not place hands under or near the edges of the turntable disk or optional divider paddle when the accumulation table is operating as fingers may be pinched, sheared, or otherwise injured or possibly severed in these areas.
- Do not attempt to open or work on the electrical box, junction boxes or other electrical components of the unit without first disconnecting power to the machine. Electrical shock hazard exists if power is not disconnected.
- Do not by-pass any factory-designed safety features such as guards, interlocks, switches, etc.
- Do not place hands or body inside the confines of the machine unless all mechanisms are securely fastened and the electrical supply is shut off.
- Never provide service or clear a jam when machine is running.
- Do not wear loose clothing such as ties, scarves, jewelry etc. Long hair should be pulled back and/or covered while operating this machine.
- Do not stand or climb on any part of the accumulation table or its frame.

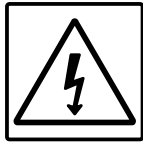
Explanation of Symbols



Caution sign or Safety Alert symbol. Indicates caution, be alert, Your safety is involved. Knowledge of safe operation is required.



Ground symbol. Indicates ground. Use Class-3 (lower than 1000) cable to ground to earth. Incomplete grounding may lead to electrical shock.



Electrical hazard. Indicates electrical danger. Only a trained electrician can uncover the electrical panel or box.



Electrical shock hazard. Indicates electrical shock danger from exposed or broken wires or electrical components. Only a trained technician can uncover the electrical panel box.



Cut or shear hazard. Do not place your hands or any object into the area under the rotating turntable near the vertical sidewall support brackets. Shut down the machine before performing maintenance.



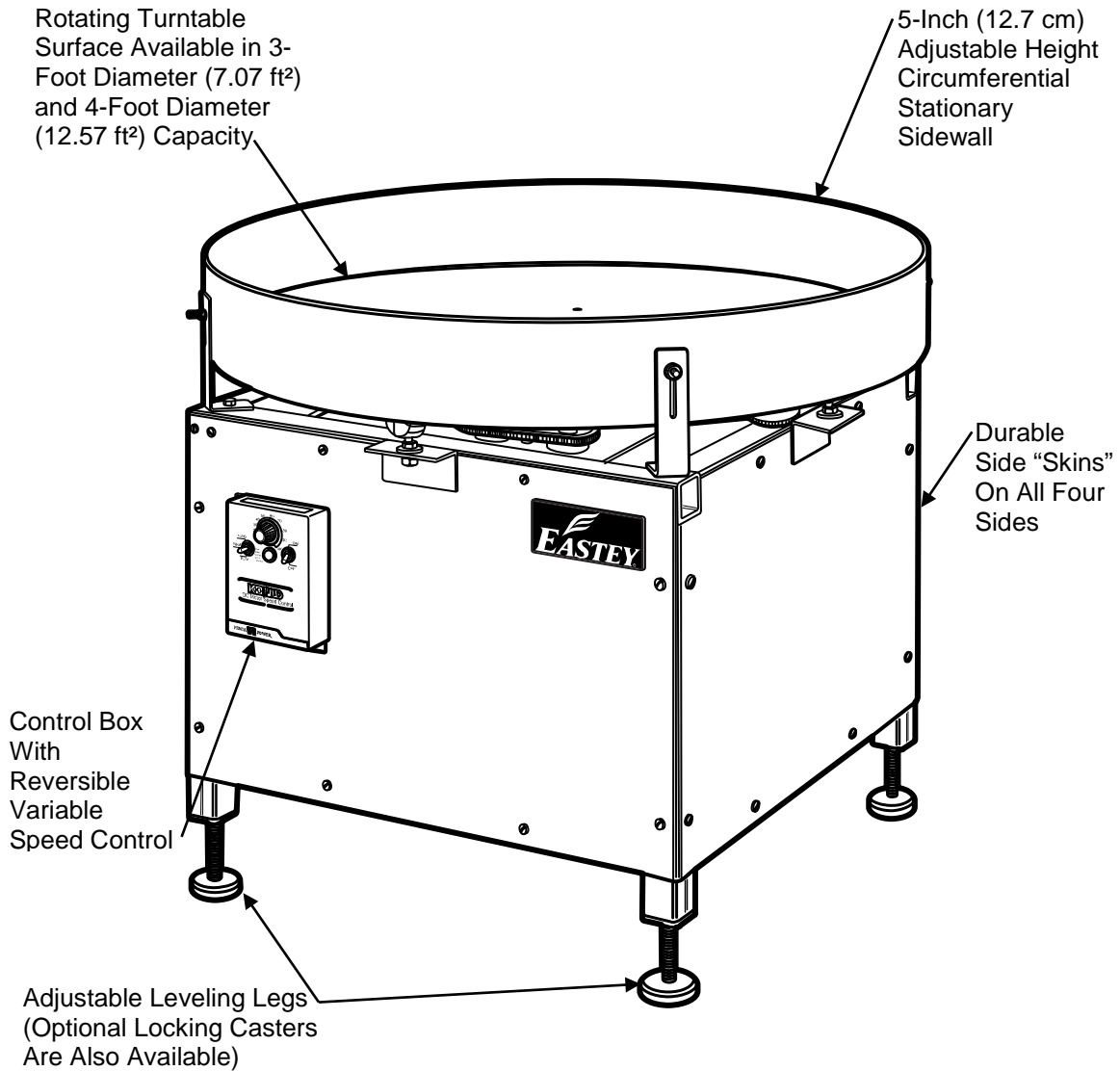
Pinch or crush hazard. Do not place your hands or any object under the rotating turntable near tabletop support wheels. Shut down the machine before performing maintenance.



Moisture hazard. Keep equipment dry. This equipment is designed for indoor operation in a typical clean, dry factory environment, protected from rain and moisture. Do not operate the machine in any extremely wet or oily environment that may exceed operating specifications.

Introduction

General System Description



Specifications

Model	Table Diameter	Accumulation Area	Table Height	Overall Height	Base Length	Base Width	Weight
TT36	36 in. 91.4 cm	7.07 ft ² 0.656 m ²	27.9 in. to 36 in. 70.9 cm to 91.5 cm	30.9 in. to 39 in. 78.5 cm to 99.1 cm	30.1 in. 76.5 cm	28 in. 71.1 cm	260 lbs. 118 kg
TT48	48 in. 122 cm	12.57 ft ² 1.168 m ²	27.9 in. to 36 in. 70.9 cm to 91.5 cm	30.9 in. to 39 in. 78.5 cm to 99.1 cm	30.1 in. 76.5 cm	28 in. 71.1 cm	340 lbs. 154 kg

Explanation of Model Numbers

- TT = Turn Table — The TT Series Accumulation Table provides a variable speed rotating circular accumulation area with 5-inch adjustable-height containment sidewall.
- __ = 36 or 48 — Digits indicate the nominal diameter of the accumulation table in inches: Accumulation tables are available with a 36-inch or 48-inch diameter accumulating table top.

Accumulation Table Specifications

Machinery Makeup	Industrial strength tubular steel frame with powder coated steel base and 7 gauge stainless steel turntable
Working Height	Adjustable 28 to 39 inch height
Variable Speed	Up to 13 revolutions per minute
Electrical Requirements	115V or 220V, 5A single phase with ground

Standard features

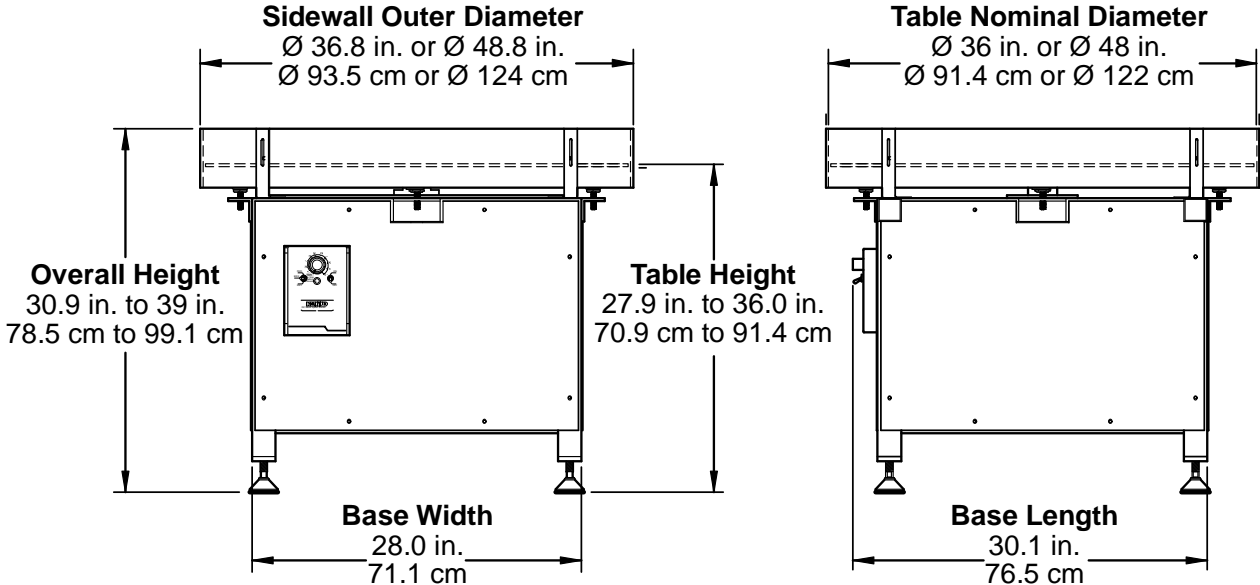
- Large 36 inch or 48 inch diameter turntable tub with adjustable 5 inch deep sidewall
- Easy to clean stainless steel tub
- Variable speed drive
- Dual direction drive for clockwise or counter-clockwise operation
- Smooth, consistent turntable speed
- Adjustable leveling feet or optional casters
- Single plug 115V power supply
- Heavy duty rugged design

Easteey Accumulation Table Optional Accessories

Casters	Lockable casters for easy movement throughout the plant
Stainless Base	All stainless steel for food applications
Divider Paddle	Overhead frame and divider paddle guides product to outer edge as needed
Custom Design	Custom design available for specific application requirements including pack-off tables and/or conveyors

Dimensions

Accumulation Table Overall Dimensions



Installation

Carefully unpack the outer carton and shipping material. Avoid damaging the accumulation table or base.

Remove shipping straps and bolts or brackets securing the accumulation table base to the shipping base. Lift the accumulation table base off the shipping base.

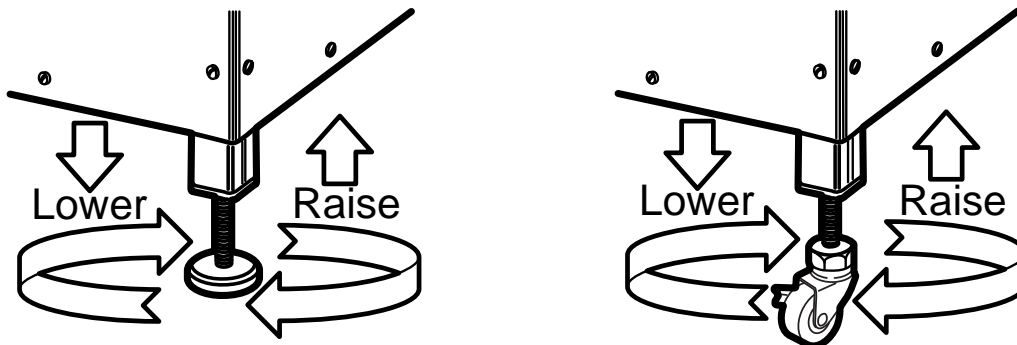
CAUTION! The accumulation table may require more than one person to move safely off the shipping base.

Optional Casters

The accumulation table is delivered with flat leveling feet, standard. If the accumulation table is ordered with optional locking casters, the casters are installed at the factory and the accumulation table is delivered with the casters installed.

Height Adjustment

Each leg of the accumulation table is a threaded leveling leg. (Thread-locking compound is used to secure the feet or optional casters to the leveling leg.) To adjust the leg height, twist to thread the leg into or out of the accumulation table base to adjust each leg up or down.



Move the accumulation table to the desired location. The leveling foot may require some lifting, but will easily skid across a smooth, level floor surface. If you have purchased the optional locking casters you can roll the accumulator table easily over a smooth flat surface. Move each caster lever to the locked position to keep the accumulation table from moving.

Location Requirements

When installing the Eastey Accumulation Table please be aware of the following considerations:

1. The floor surface is flat and level where the accumulation table will be placed.
2. Height of nearby packing table or equipment feeding into or receiving product from the accumulation table.
3. Alignment with packaging line.

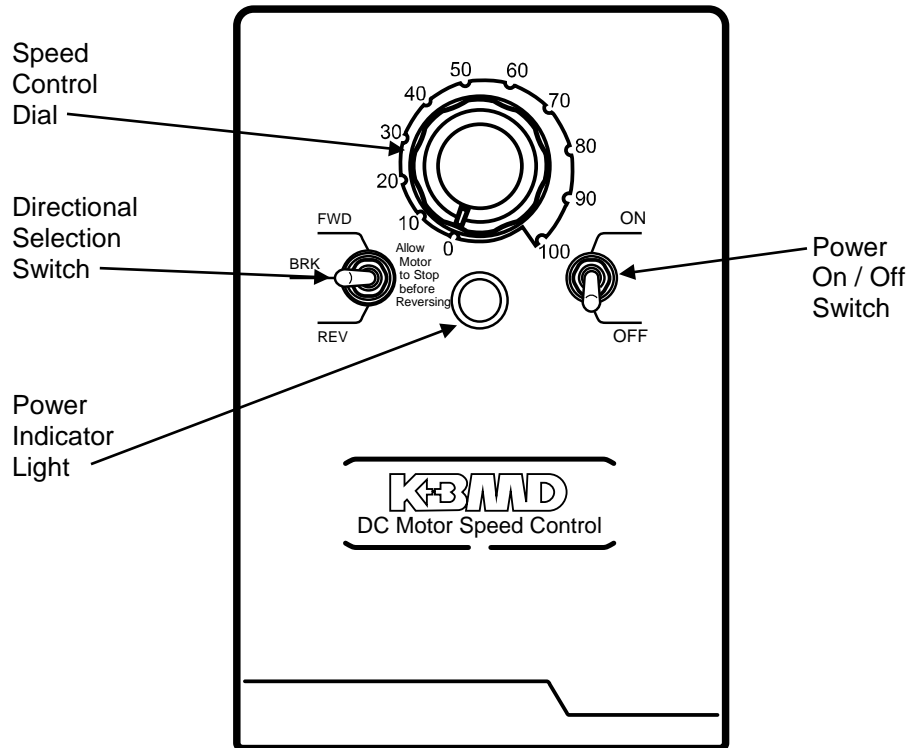
Customized inlet and/or outlet options may be installed in lieu of the standard circumferential sidewall. Proper alignment with machinery feeding into the accumulation table as well as downstream equipment receiving product from the accumulation table must be taken into consideration when determining the location and position, and installing the accumulation table.

The accumulation table should be placed on a flat, level floor so that it does not rock or move. We recommend that the machine be securely locked in place when used.

Operation

Power

With the toggle Power Switch set to the Off position, Directional Selection Switch set to the neutral/brake selection (BRK), and Speed Control Dial set to minimum setting (0) Plug the power supply cord into a properly wired and grounded outlet.



Toggle the Power Switch to the On position. The Power indicator light will illuminate.

CAUTION! When the power is turned on keep clear of the rotating tabletop.

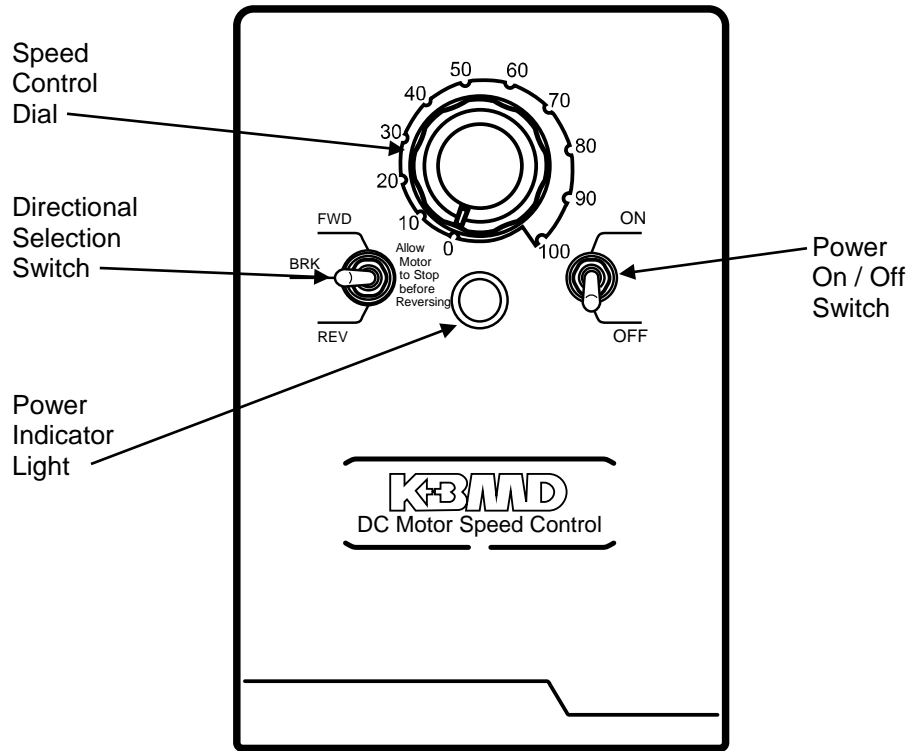
Select the direction in which the table will rotate, using the Directional Selection

CAUTION! When changing the direction of tabletop rotation, turn the speed down to zero-minimum and set the Directional Selection switch to the center BRK position and allow the tabletop to come to a full stop before selecting the opposite direction.

Gradually increase the rotation speed using the Speed Control Dial to adjust the tabletop rotation to the desired speed.

Control Box

The accumulation table control box is held in place by magnets and is repositionable. It can be repositioned anywhere along the metal surface of the accumulation table frame side rail where it will be most convenient for operation.



Power On / Off Switch

The Power On / Off is a toggle switch to turn the power on or off. Power is switched off when the switch is in the down position: power is on when the switch is in the up position. Switch the power on by flipping the lever up; switch the power off by flipping the lever down.

Power Indicator Light

Illuminates when power is On; is unlit when power is Off.

Directional Selection Switch

This is a three-position FWD/BRK/REV toggle switch to set the rotation direction in forward or reverse. Always decrease speed and set the toggle to the center BRK setting and allow the table to come to a full stop before changing direction to forward or reverse.

Speed Control Dial

Adjust accumulation table speed using the Speed Control Dial to bring the accumulation table to the required speed. The level gradations from 0 to 100 represent percentage from minimum (0%) to maximum (100%) available speed and are otherwise arbitrary and likely will not correspond to any specific units of angular velocity.

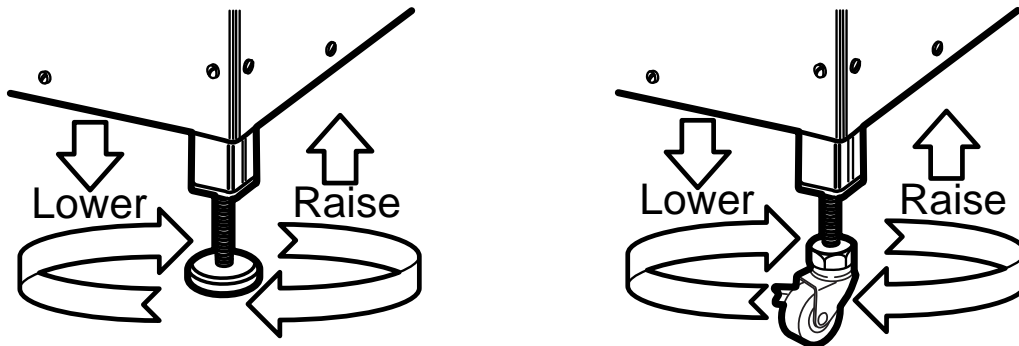
To stop the accumulation table, turn the Speed Control Dial to minimum setting (0), and toggle the Directional Selection Switch to BRK. The accumulation table will slow down and stop. Turn the Power Switch to the Off position to turn off power.

Adjustments

Shut off power and disconnect electrical connections before making any adjustments.

Machine Base Height and Leveling Adjustment

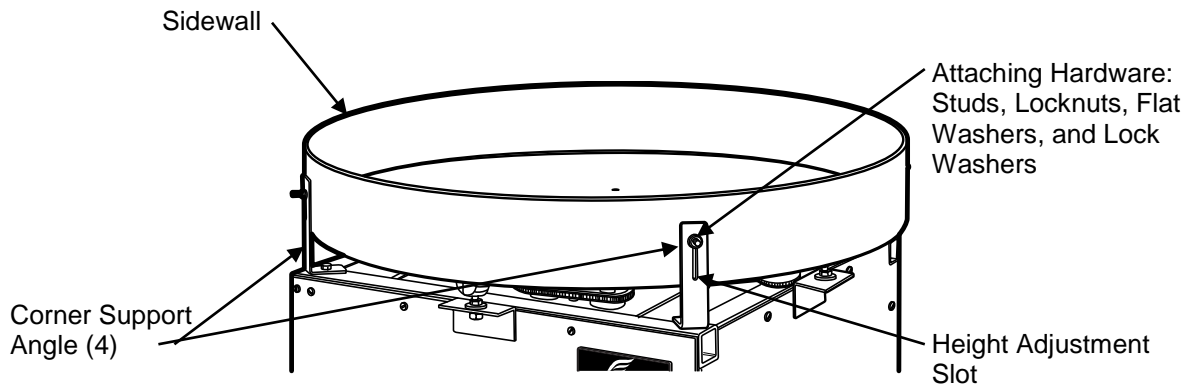
Each leg of the accumulation table is threaded to allow height adjustment. To adjust the leg height, twist each leg into or out of the accumulation table base to adjust the height up or down at each corner.



Note: When adjusting height to raise or lower the accumulation table base, place a level across flat continuous surfaces at the top of the turntable base and adjust the base to be level in both directions.

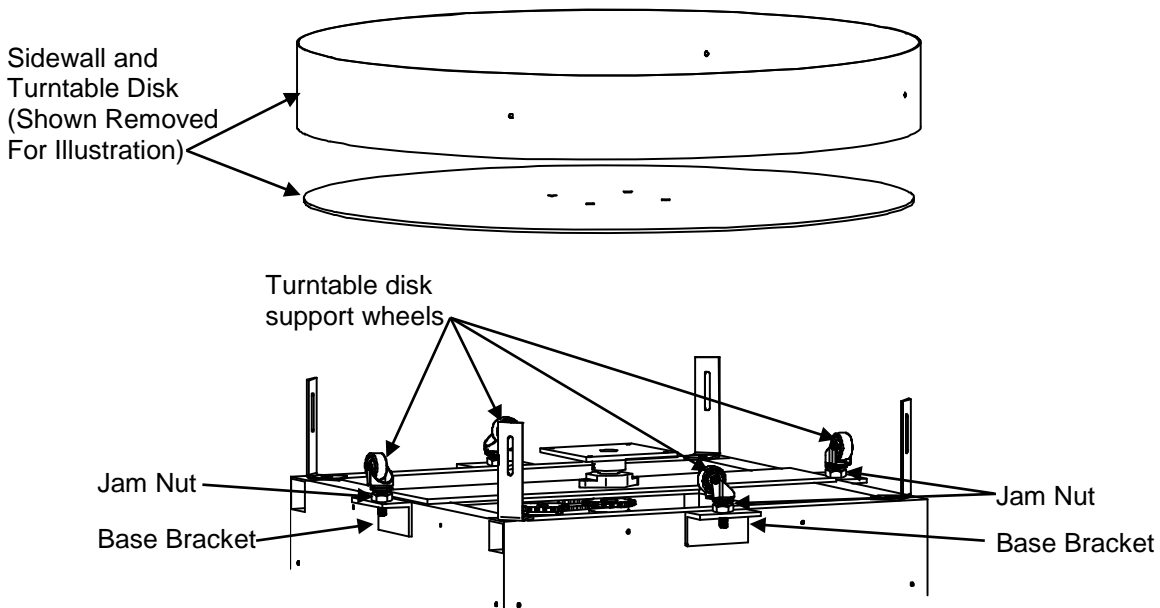
Sidewall Height Adjustment

Support angles at each corner of the accumulation table are slotted to allow height adjustment of the sidewall. To adjust the sidewall height, loosen the nuts and washers on threaded studs securing the sidewall to the support angle, adjust the height up or down at each corner, and then retighten at required height.



Turntable Leveling Adjustment

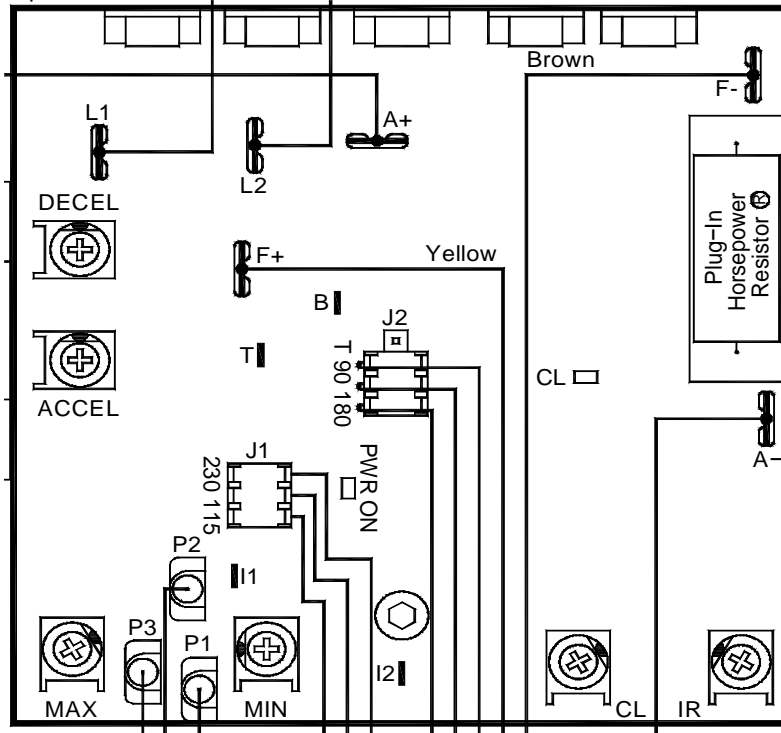
The four support wheels that are directly underneath and support the turntable disk are adjustable in height. After leveling the accumulation table base, check the turntable disk to make sure it is level in all directions to avoid any excessive vibration or wobble in operation. To adjust each wheel, first loosen the jam nut where it attaches to the base bracket. Turn the caster stud to adjust upward or downward as required, then re-tighten jam nut to secure height.



Advanced Speed and Control Function Adjustment

The following illustration shows the D.C. control board housed in the accumulation table control box. Characteristics of motor motion, such as maximum and minimum motor speed, motor acceleration and deceleration time, and current load and motor internal resistance compensation are fine-tuned by adjusting trim-potentiometers (trimpots) on this board.

Detail of KBMD-240D Multi-Drive™ Controller Board Showing Locations of Trim Pots

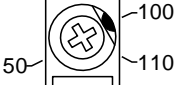

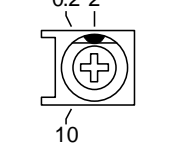
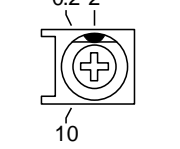
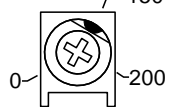
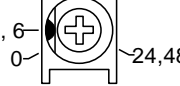


For more information refer to the *KBMD-240D Multi-Drive™ DC Motor Speed Control Installation and Operation Manual* (provided by the D.C. board manufacturer).

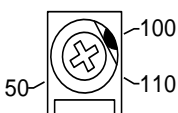
Trimpots on the internal multi-drive controller board have been factory adjusted to provide near-optimum motor regulation when using the control box speed and directional controls under normal operation. More specific information about the trimpots and adjustment is provided beginning on the following page. Refer to the figure above for location of trimpots.

Note: Do not attempt to change the setting of the trimpots unless absolutely necessary since they are factory adjusted to near optimum settings. Instructions in this section assume the proper Plug-In Horsepower Resistor® is installed for the particular motor and input voltage being used.

Typical factory-set trimpot settings are shown in the following table (expressed as value indicated on control board):

Appearance	Trimpot Descriptor	Value	Range
	MAX (maximum speed)	100%	50% - 110%
	MIN (minimum speed)	0%	0% - 30%
	ACCEL (acceleration start)	2	0.2 - 10
	DECEL (deceleration)	2	0.2 - 10
	CL (current limit/torque)	150%	0% - 200%
	IR (IR compensation)	3, 6	24, 48

Acceleration and Deceleration trimpots are labeled ACCEL and DECEL and are located near the left side of the speed control module. Maximum and Minimum trimpots are labeled MAX. and MIN. and are located near the bottom edge of the board on the left. Current Limiting and Internal Resistance trimpots are labeled CL and IR and are located near the bottom edge on the right. Refer to the figure on the previous page for location of trimpots.

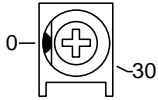


Maximum Speed Trimpot (MAX)

The MAX trimpot sets the maximum speed of the motor when the main speed dial potentiometer is set to fully clockwise. To decrease the maximum speed, adjust the MAX trimpot counterclockwise.

CAUTION! Do not attempt to adjust the maximum speed above the rated motor RPM since unstable motor operation may occur.

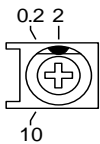
Note: For moderate changes to the maximum speed, there will be slight effect on the minimum speed setting when the minimum speed is set to zero. There may be significant variation in the minimum speed setting if the minimum speed is set higher than zero.



Minimum Speed Trimpot (MIN)

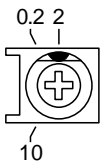
The MIN trimpot sets the minimum speed of the motor when the main speed dial potentiometer is set fully counterclockwise. The MIN trimpot has been factory set to 0% of the base motor speed. To increase the minimum speed, adjust the MIN trimpot clockwise. To decrease the minimum speed, adjust the MIN trimpot counterclockwise.

Note: **Readjusting the MIN trimpot will affect the maximum speed setting. Therefore it is necessary to readjust the MAX trimpot if the MIN trimpot has been adjusted. It may be necessary to repeat these adjustments until both the minimum and maximum speeds are set to the desired levels.**



Acceleration Trimpot (ACCEL)

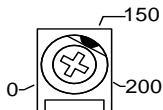
The ACCEL trimpot allows for a smooth start over an adjustable time period each time the AC power is applied or the main speed dial potentiometer is adjusted to a higher speed. The ACCEL trimpot has been factory set to two (2) seconds, which is the amount of time it will take for the motor to accelerate to full speed. To increase the acceleration time, adjust the ACCEL trimpot clockwise. To decrease acceleration time, adjust the ACCEL trimpot counterclockwise.



Deceleration Trimpot (DECEL)

The DECEL trimpot controls the amount of ramp-down time when the main speed dial potentiometer is adjusted to a lower speed. The DECEL trimpot has been factory set to two (2) seconds, which is the amount of time it will take for the motor to decelerate from full speed to zero speed. To increase the deceleration time, adjust the DECEL trimpot clockwise. To decrease the deceleration time, adjust the DECEL trimpot counterclockwise.

Note: **The deceleration time cannot be set to less than the natural coast time of the motor and actual load.**



Current Limit Trimpot (CL)

The CL trimpot sets the current limit (overload), which limits the maximum current (torque) to the motor. The CL also limits the AC Line inrush current to a safe level during startup. The CL trimpot is factory set to 1.5 times the full load rating of the motor. To increase the current limit, adjust the CL trimpot clockwise (do not exceed 2 times the motor current rating (maximum clockwise position)). To decrease the current limit, adjust the CL trimpot counterclockwise.

To Recalibrate the Current Limit (CL) Trimpot

1. Disconnect the AC power and connect a DC ammeter in series with either motor armature lead. (Note: If only an AC ammeter is available, connect it in series with either AC line input lead.)

2. Set the Main Speed dial potentiometer to approximately 30% to 50%.
3. Set the CL trimpot fully clockwise. The CL LED will illuminate red.
4. Lock the motor shaft. Important: Be sure the CL trimpot is set fully clockwise and do not lock the motor shaft more than 2 to 3 seconds or motor damage may result.
5. Apply power and rotate the CL trimpot clockwise until the desired current reading is observed on the ammeter. Factory current limit setting is 1.5 times the full load rating of the motor with a DC ammeter connected in series with the motor armature. (If using an AC ammeter connected in the AC line input, the factory current limit setting will read 0.75 times the full load rating of the motor.) Do not exceed 2 times the motor current rating (maximum clockwise position).



IR Compensation Trimpot (IR)

When adjustment of the controller board is complete, it is necessary to reattach the controller box front cover. Slide the front cover in place to cover the controller box and re-use the two (2) #6-32 screws to fasten the front cover in place to the control box.

To Recalibrate the IR Compensation (IR) Trimpot

1. Set the IR trimpot to approximately 25% of rotation.
2. Run the motor with no load at approximately 1/3 speed and record the RPMs.
3. Run the motor with the maximum load and adjust the IR trimpot so that the motor speed under load is equal to the unloaded speed recorded in step 2 above.
4. Remove the load and recheck the RPMs
5. If the unloaded RPM has changed, repeat steps 2 through 4 for more precise regulation. The control is now compensated to provide minimal speed change with varying loads.

When adjustment of the controller board is complete, it is necessary to reattach the controller box front cover. Slide the front cover in place and cover the controller board and terminals and re-use the two (2) #6-32 screws to fasten the front cover in place to the control box.

For more detailed information refer to instructions in the previous pages or refer to the KBMD-230D™ Multi-Drive Controller Board Installation and Operation Manual, provided by the D.C. board manufacturer

Maintenance

The Eastey TT Series Rotary Accumulation Table will provide many hours of maintenance free operation. There are a few items that may require attention from time to time.

Shut off power and disconnect electrical connections before cleaning or performing maintenance tasks.

Preventative Maintenance

- Check and clean the motor to turntable drive chain and sprockets. Clean and lubricate the drive sprockets and chain as required. Check chain tension and adjust as needed.
- Check the condition of the turntable and sidewall. Check for material stuck onto surfaces or lodged in between turntable and sidewall. Clean or repair and replace as necessary.
- Check operation of the turntable. It should not wobble and should rotate smoothly and level. Check to make sure the base is level and check to make sure the turntable remains level as it rotates. Check the condition of the support wheels directly under the turntable. Clean the turntable support wheels and remove any accretion and lubricate wheel bearings if necessary. Repair or replace worn or damaged wheels as necessary and adjust to level. See instructions for Turntable Leveling Adjustment in the Adjustments section of this User Guide.
- Check that you are able to vary the rotational speed. If not, refer to the Adjustments section of this User Guide for instruction. If the turntable rotates in the wrong direction, refer to the Operation section of this User Guide.
- Check condition of the power cord for wear, especially if it is exposed to traffic.
- Check for overall wear and repair or replace as necessary.
- Check for loose fasteners. Tighten as necessary.
- Check the condition of all warning and instruction labels. Replace as necessary.

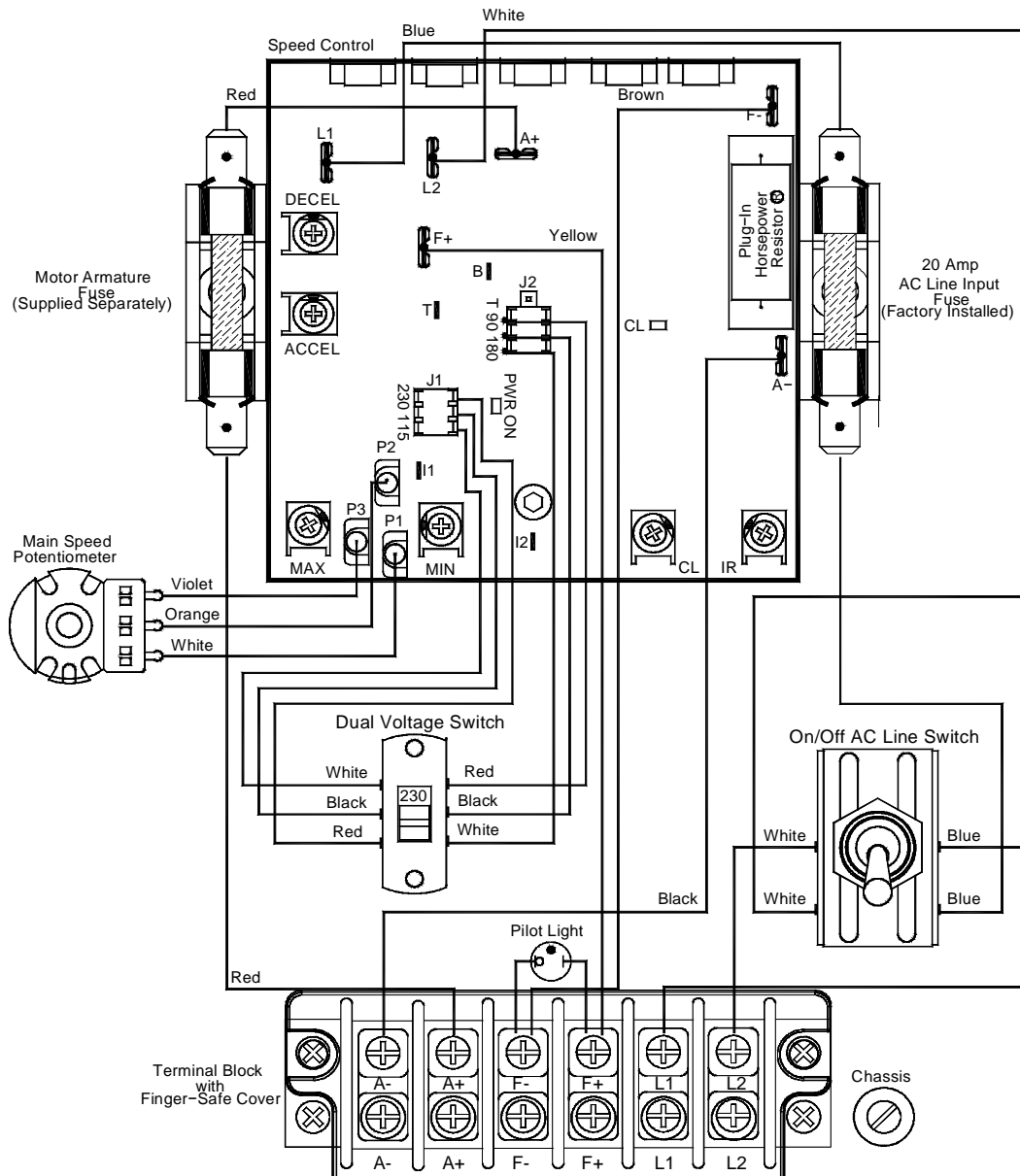
Cleaning the Table Top Surface and Sidewall

Make sure the rotating table top and sidewall stay clean and grease free. If either requires a more thorough cleaning, use a soft, lint-free cloth with a mild detergent and water and let dry. **Never use harsh or abrasive cleaners or chemical agents when cleaning any part of the machine.**

Troubleshooting

The following illustration shows the D.C. board housed in the accumulation table Control Box. Some of the solutions to problems identified in the Troubleshooting table that follows refer to adjustments made by turning potentiometers on this board.

Basic KBMD-240D Multi-Drive™ Controller Board Connection Detail Schematic



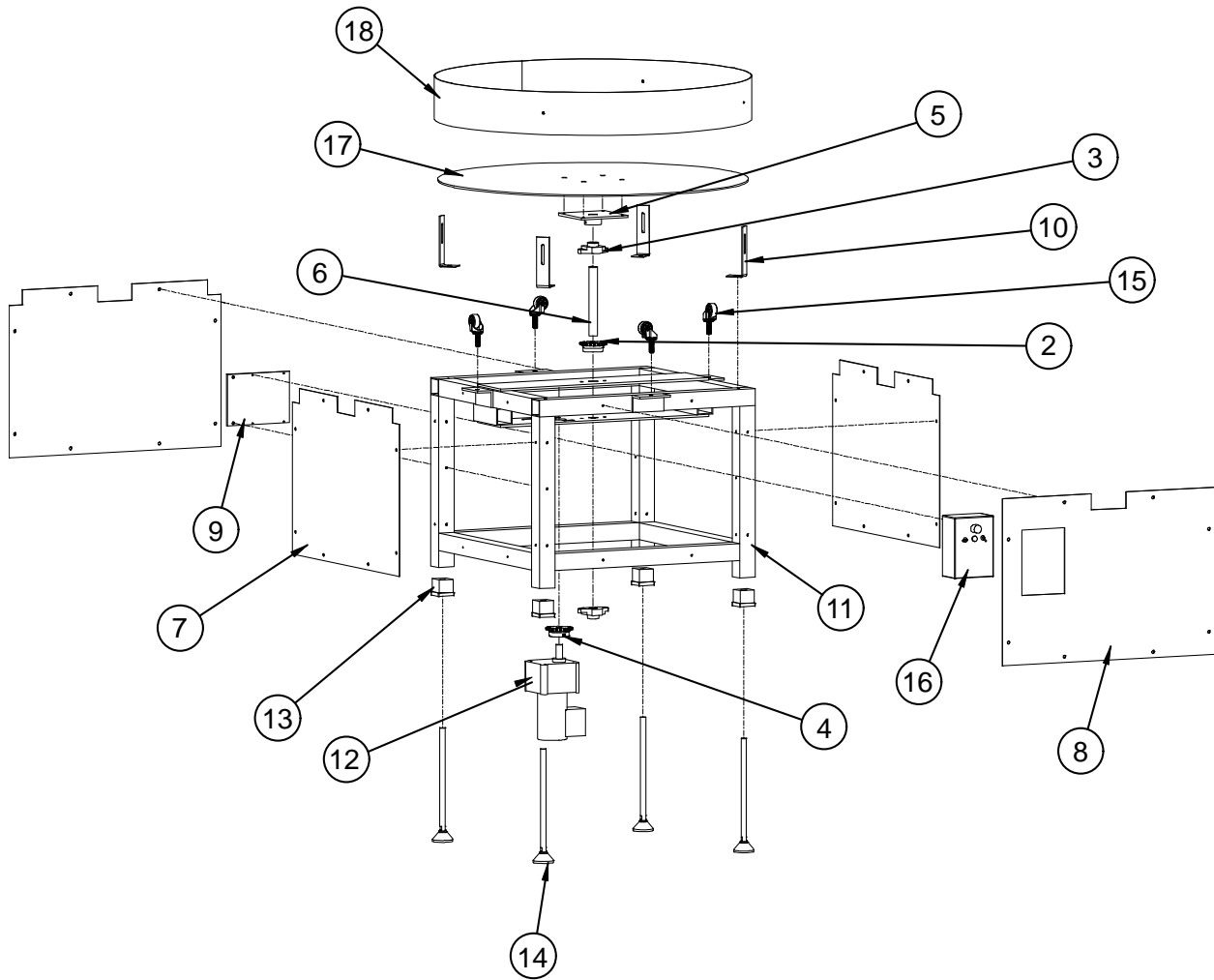
For more information refer to the *KBMM™ Installation and Operation Manual* (provided by the D.C. board manufacturer).

Problem	Possible Cause	Corrective Action
1. Motor does not run; Power On, Indicator not lit.	<ol style="list-style-type: none"> 1. Power switch is in Off position, or 2. AC voltage is not brought to L1 and L2 terminals. 3. Blown line fuse 	<ol style="list-style-type: none"> 1. Toggle power switch to On position; or 2. Correct wiring to control box. 3. Replace line fuse with 20A rated 3AB-type fuse. If fuse blew due to mis-wiring, speed control module may be damaged.
2. Motor does not run; power On indicator lit.	<ol style="list-style-type: none"> 1. Directional Selection Switch set to BRK. 2. Speed control knob set to 0 (zero). 3. Defective motor. 4. Plug-in Horsepower Resistor® not installed. 5. Blown armature fuse. 	<ol style="list-style-type: none"> 1. Set Directional Selection Switch to FWD or REV. 2. Turn knob clockwise to start motor. 3. Check for defective motor, worn brushes, etc. Replace motor 4. Install proper plug-in Horsepower Resistor®. 5. Replace fuse with fuse of proper value.
3. Motor hums or runs at very low speed (with speed control knob turned up to a high speed setting) or motor slows down substantially when load is applied.	<ol style="list-style-type: none"> 1. Low voltage. 2. Overload condition: control in current limit mode (CL trim pot not set correctly). (CL LED is lit.) 3. Plug-in Horsepower Resistor® is not the correct size/rating. 4. Incorrect wiring. Armature and shunt connections interchanged (shunt motor only). 	<ol style="list-style-type: none"> 1. Check line voltage at control and rewire as required. 2. Reduce loading; CL trim pot setting may need to be increased. See Adjustments section. 3. Install correct plug-in Horsepower Resistor® rated for motor power. 4. Correct wiring (armature has lower resistance than field).

Problem	Possible Cause	Corrective Action
4. Erratic motor performance.	<ol style="list-style-type: none"> 1. Worn or damaged motor: worn brushes, etc. 2. Overload condition. 3. Plug-in Horsepower Resistor® wrong size. 4. IR comp and/or CL trimpots not set properly. 5. Defective or damaged speed control module. 6. Dual Voltage Switch set in wrong position 	<ol style="list-style-type: none"> 1. Repair motor. 2. Remove overload. 3. Replace Plug-in Horsepower Resistor® with proper size. 4. Readjust trimpots. 5. Replace module. 6. Recheck line voltage and set Dual Voltage Switch to proper position, 115 or 230.
5. Motor continues to run when speed control knob is set to zero (0).	<ol style="list-style-type: none"> 1. Minimum speed trim pot not set to full counter-clockwise position. 2. IR comp trim pot set too high. 	<ol style="list-style-type: none"> 1. Readjust minimum speed trim pot. 2. Lower IR comp trim pot setting.
6. Motor runs in wrong direction.	<p>Motor is reversible and direction of rotation is determined by Directional Selection Switch.</p>	<p>Set Directional Selection Switch to FWD or REV as required to obtain desired rotation direction. Be sure to slow table rotation and set switch to BRK to stop table before changing table rotation to opposite direction.</p>

Parts List

Accumulation Table — TT36 & TT48

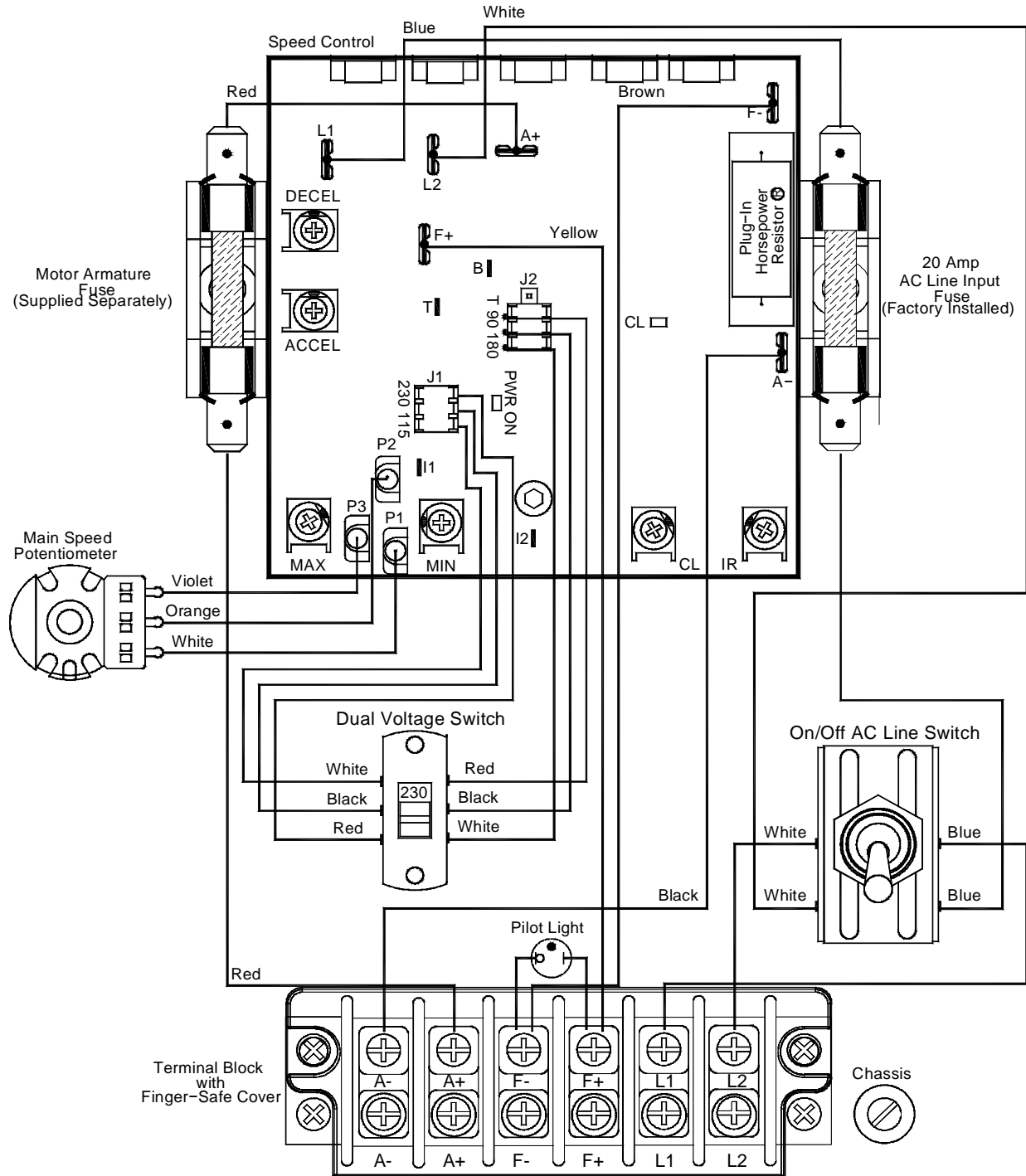


ITEM	PART NO.	DESCRIPTION	Quantity	
			TT36	TT48
1	5001207	Caster – Heavy Duty Locking, standard	1	1
2	ESC00562	Sprocket 40B18 1-Inch Bore	1	1
3	ESC00574	Bearing, 1-inch Bore, Flanged	2	2
4	ET820021	Bearing, 1-inch Bore, Flanged	1	1
5	TT000001	Top Mount Plate	1	1
6	TT000002	Drive Shaft	1	1

ITEM	PART NO.	DESCRIPTION	Quantity	
			TT36	TT48
7	TT000005	Side Plate	3	3
8	TT000006	Front Plate	1	1
9	TT000007	Control Box Mount Plate	1	1
10	TT000020	Sidewall Mount Support Angle	4	4
11	TT000050	Table Base Weldment	1	1
12	TT000550	DC Gear Motor 14 RPM	1	1
13	TT000551	Threaded Tube Insert	4	4
14	TT000552	Leveling Feet	4	4
15	TT000560	Wheel Assembly, Turntable Support (Inverted Caster)	4	4
16	TT000561	DC Control Box With Forward/Brake/Reverse Switch	1	1
17	TT360001	Table Top Plate, 36-inch Diameter	1	-
17	TT480001	Table Top Plate, 48-inch Diameter	-	1
18	TT360002	Sidewall, Circumferential, 36-inch Diameter	1	-
18	TT480002	Sidewall, Circumferential, 48-inch Diameter	-	1

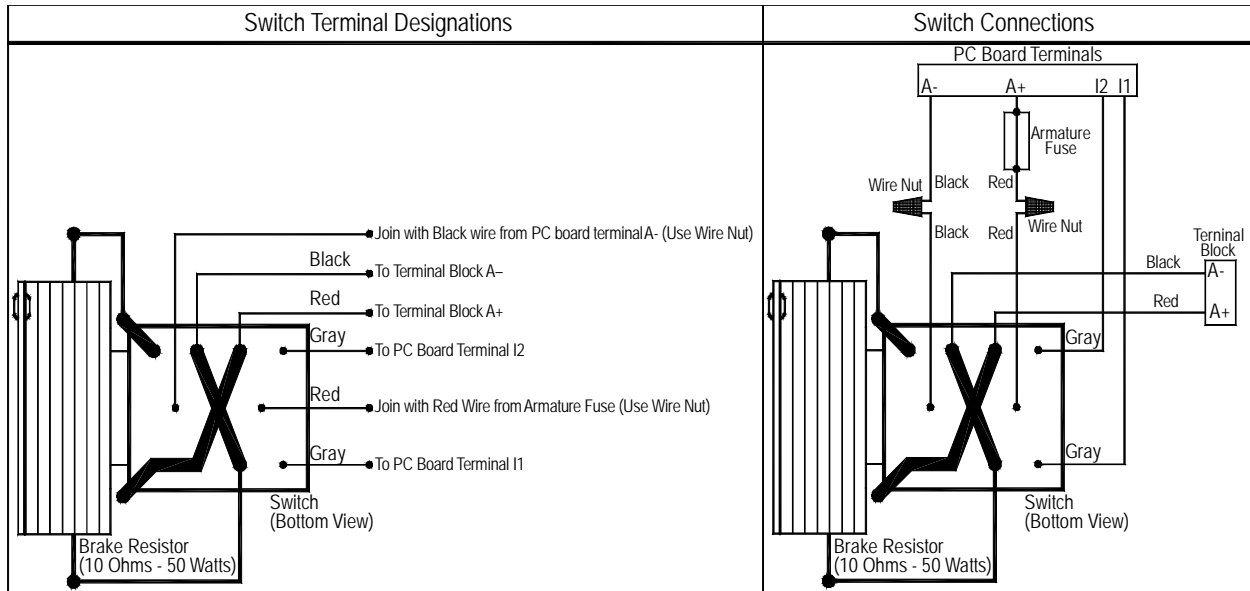
Appendix A: Electrical Schematic

Internal Wiring Diagram for the Motor Control Board



Not shown in the above schematic is additional wiring required for the FWD/BRK/REV directional switch, which is provided on the following page.

More information about setting the trimpot adjustments for minimum and maximum speed and acceleration and deceleration on the motor control board shown above is provided in detail in the Adjustments and Troubleshooting sections of this User Guide.



For more information, refer to the KBMM™ Installation and Operation Manual (provided by the D.C. board manufacturer).

Warranty Statement

Eastey TT Series Rotary Accumulation Table

Warranty Statement

Eastey Enterprises warrants that all of the products it ships will be in good working order and free from defects in material and workmanship and will conform to the published specifications for that product.

Warranty Period

Drive motor(s): 1 year

All other parts: 1 year (Except for moving parts which are subject to normal wear, tear and replacement which are warranted to be free from defects in material and workmanship.)

Operation Quality

Quality of operation achieved in a given application is dependent on the installation, the material handling, and the maintenance provided. Eastey makes no warranty that the quality achieved in an application will be the same as that achieved in our demo facility.

Shipping Policy

Customer pays all incoming shipping. If the item is defective and under warranty, Eastey pays return shipping charges for least costly method. If expedited shipping is desired, customer must furnish his shipping account and shipping fees will be charged to that account.

Warranty Verification

If you conclude that a product may be defective and may be covered by warranty, obtain a Return Material Authorization number by calling our technical support number (toll free at 1-800-835-9344, or 763-428-4846 or Fax: 763-795-8867) or e-mail: info@eastey.com, and return the defective item to Eastey. Eastey will analyze the product and, if found to be defective, we will, at our option, replace or repair the item. If the item is found to not be eligible for warranty, you will be notified and may decide on disposition. Defective products will be replaced or repaired as promptly as possible.

Warranty Eligibility

The warranty provided by Eastey Enterprises, Inc. is only to the original buyer.

Limited Warranty

THE ABOVE WARRANTY IS EXCLUSIVE AND IN LIEU OF ALL OTHER WARRANTIES, WHETHER EXPRESSED OR IMPLIED, INCLUDING THE IMPLIED WARRANTIES OF MERCHANTABILITY, FITNESS FOR A PARTICULAR PURPOSE AND NONINFRINGEMENT.

Disclaimer of Damages

REGARDLESS OF WHETHER ANY REMEDY SET FORTH HEREIN FAILS OF ITS ESSENTIAL PURPOSE, IN NO EVENT WILL EASTEY ENTERPRISES, INC. BE LIABLE FOR ANY SPECIAL, CONSEQUENTIAL, INDIRECT OR SIMILAR DAMAGES, INCLUDING LOST PROFIT OR LOST OPPORTUNITIES OF ANY TYPE ARISING OUT OF THE USE OR INABILITY TO USE THESE PRODUCTS EVEN IF EASTEY ENTERPRISES, INC. HAS BEEN ADVISED OF THE POSSIBILITY OF SUCH DAMAGES.

Customer Support

Eastey Technical Service

For help setting up or operating the Eastey TT Series Rotary Accumulation Table, please contact Eastey Technical Service at one of the numbers listed below.

Toll-Free Phone	800-835-9344
Phone	763-428-4846
Fax	763-795-8867
E-mail	info@eastey.com
Web	www.eastey.com

Thanks again for your purchase of Eastey products. We are pleased to be a part of your packaging needs.

PACKAGING PLUS
317-841-1126 INFO@HOTMELTUNITS.COM



PACKAGING PLUS
317-841-1126 INFO@HOTMELTUNITS.COM